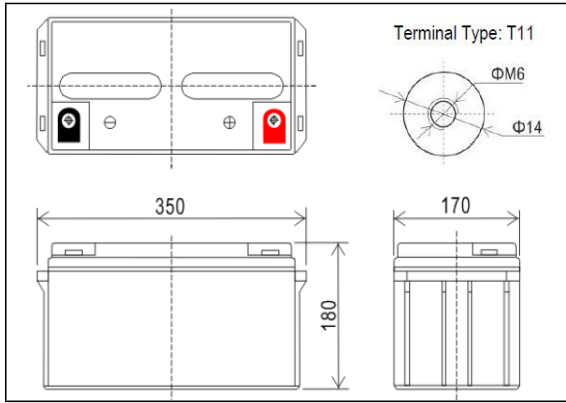
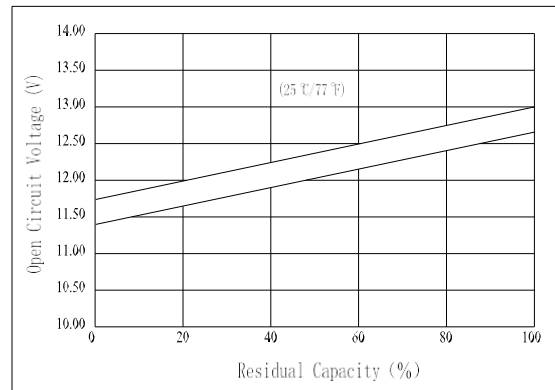


Dimensions



The Relationship for Open Circuit Voltage and Residual Capacity (25°C)

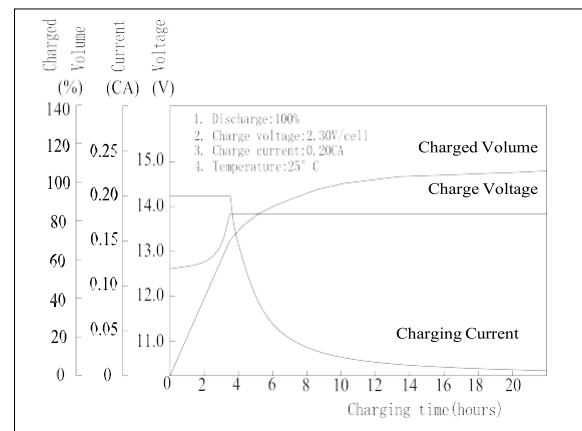


Specifications

Nominal Voltage	12 V	
Capacity(20HR, 25°C)	70 Ah	
Dimension	Length	350mm (13.78inch)
	Width	170mm (6.7inch)
	Height	180mm (7.1inch)
	Total Height	180mm (7.1inch)
Approx. Weight	20 kg (44lbs)	
Internal resistance (Fully charged, 25°C)	Approx.6mΩ	
Capacity affected by temperature (10HR)	40°C	102%
	25°C	100%
	0°C	85%
	-15°C	65%
Self-discharge (25°C)	3 month	Remaining Capacity: 91%
	6 month	Remaining Capacity: 82%
	12 month	Remaining Capacity: 65%
Nominal operating temperature	25°C±3°C(77°F±5°F)	
Operating temperature range	-15°C~50°C (5°F~122°F)	
Float charging voltage(25°C)	13.50 to 13.80V	
Cyclic charging voltage(25°C)	14.50 to 14.90V	
Maximum charging current	17A	
Terminal material	Copper	
Maximum discharge current	650A(5 sec.)	

- ◆ Absorbent glass mat technology;
- ◆ Recognized by UL & CE;
- ◆ ABS container UL94 ;
- ◆ Floating life at 20°C designed for 10-12 years sec. Eurobat

Charging Characteristics(25°C)



Cycle Life(25°C)

