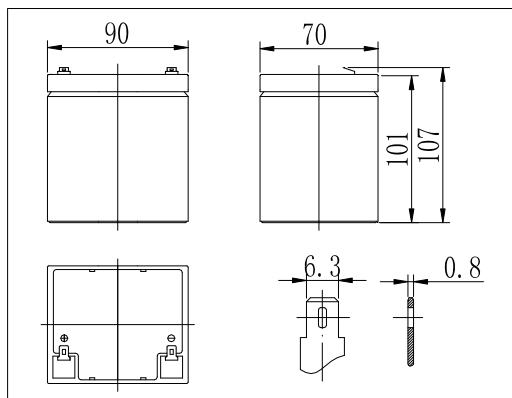
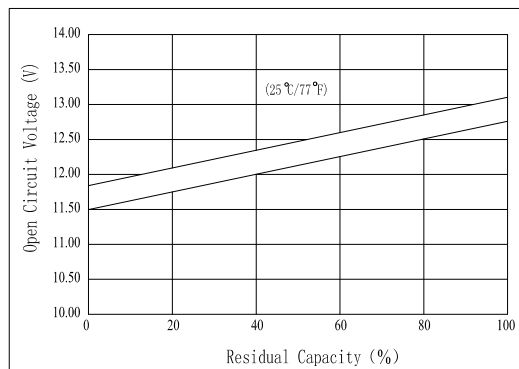
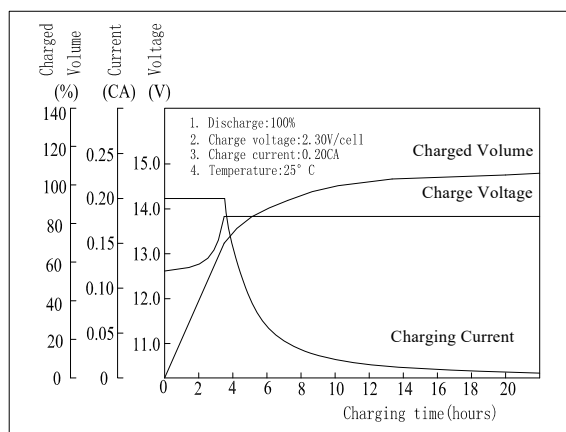


Dimensions

The Relationship for Open Circuit Voltage and Residual Capacity (25°C)

Specifications

Nominal Voltage	12 V	
Capacity(20HR, 25°C)	5 Ah	
Dimension	Length	90mm (3.54inch)
	Width	70mm (2.76inch)
	Height	101mm (3.98inch)
	Total Height	107mm (4.21inch)
Approx. Weight	1.65kg (3.64lbs)	
Internal resistance (Fully charged, 25°C)	Approx. 33mΩ	
Capacity affected by temperature (20HR)	40°C	102%
	25°C	100%
	0°C	85%
	-15°C	65%
Self-discharge (25°C)	3 month	Remaining Capacity: 91%
	6 month	Remaining Capacity: 82%
	12 month	Remaining Capacity: 65%
Nominal operating temperature	25°C±3°C(77°F±5°F)	
Operating temperature range	-15°C~50°C (5°F~122°F)	
Float charging voltage(25°C)	13.60 to 13.80V	
Cyclic charging voltage(25°C)	14.50 to 14.90V	
Maximum charging current	1.5A	
Terminal material	Copper	
Maximum discharge current	75A(5 sec.)	

- ◆ Absorbent glass mat technology;
- ◆ Recognized by UL & CE;
- ◆ ABS container UL94 HB;
- ◆ Floating life at 20°C designed for 5 years sec. Eurobat;

Charging Characteristics(25°C)

Cycle Life(25°C)
