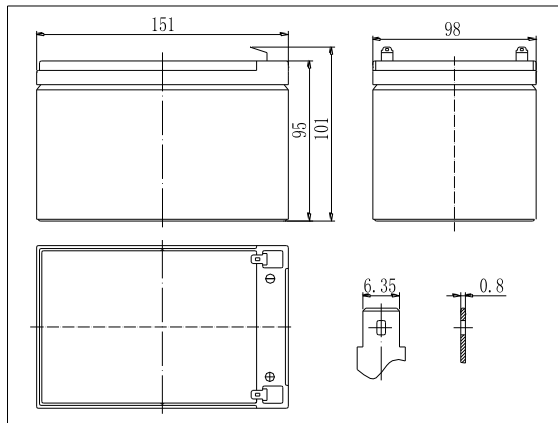
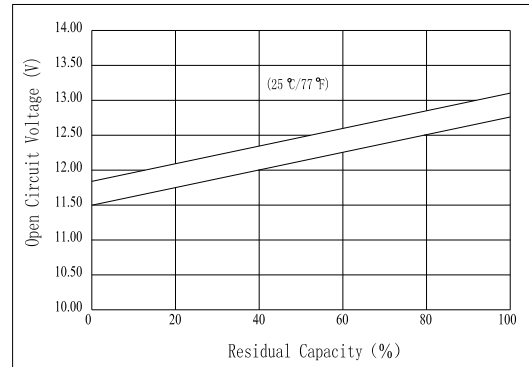


Dimensions



The Relationship for Open Circuit Voltage and Residual Capacity (25°C)

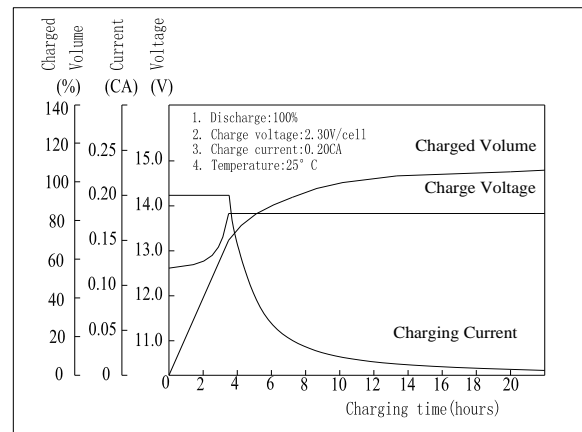


Specifications

Nominal Voltage		12 V
Capacity(20HR, 25°C)		12 Ah
Dimension	Length	151mm (5.94inch)
	Width	98mm (3.86inch)
	Height	95mm (3.74inch)
	Total Height	101mm (3.98inch)
Approx. Weight		3.70kg (8.16lbs)
Internal resistance (Fully charged, 25°C)		Approx. 19mΩ
Capacity affected by temperature (20HR)	40°C	102%
	25°C	100%
	0°C	85%
	-15°C	65%
Self-discharge (25°C)	3 month	Remaining Capacity: 91%
	6 month	Remaining Capacity: 82%
	12 month	Remaining Capacity: 65%
Nominal operating temperature		25°C ± 3°C (77°F ± 5°F)
Operating temperature range		-15°C ~ 50°C (5°F ~ 122°F)
Float charging voltage(25°C)		13.60 to 13.80V
Cyclic charging voltage(25°C)		14.50 to 14.90V
Maximum charging current		3.6A
Terminal material		Copper
Maximum discharge current		180A(5 sec.)

- ◆ Absorbent glass mat technology;
- ◆ Recognized by UL & CE;
- ◆ ABS container UL94 HB;
- ◆ Floating life at 20°C designed for 5 years sec Eurobat.

Charging Characteristics(25°C)



Cycle Life(25°C)

